

TT-LW SERIES

TT-LW

Ø 60.3 - 610 mm (2.374" - 24")

DESCRIPTION :

The machines of the TTLW series will sever and bevel simultaneously tubes and pipes while using 2 tool holders incremented by a mechanical clutch finger.

- Light weight
- Rugged construction
- Fast and easy mounting on tubes and pipes
- Suited for in-line piping systems
- Safe operation
- Modular design
- Ideal for tight spaces
- Dependable orbital cutting and beveling

These machines are the low profile version of the TTNG range. They are transportable and can be opened in 2 halfshells; According to the diameters and wall thicknesses to consider, they can be equipped with pneumatic, electrical or hydraulic drive.

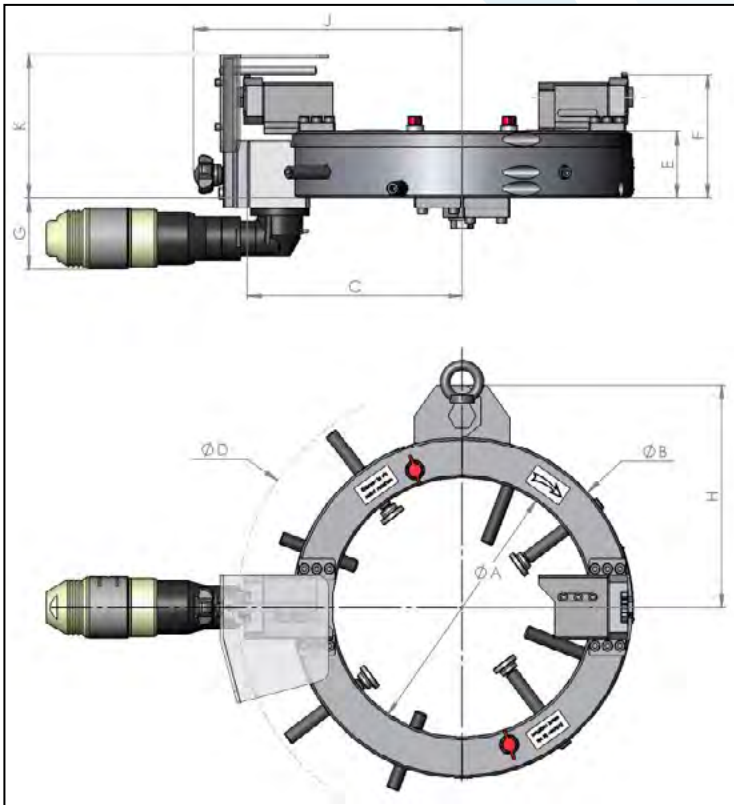
The turning ring is rolling on adjustable bearings. The TTLW can perform a cut up to 25.4 mm wall on any material and cut and bevel up to 20 mm. A variety of weld joint designs can be performed including cut, bevel, double bevel, J-bevel, counterbore, compound bevel and socket weld removal.

Adapted for virtually all environments : Irradiated areas (remote control device on request), Subsea, Very high or very low temperatures

TTLW Orbital Tube Cutting & Beveling equipment with pneumatic drive

Beveling	Cutting	Facing	Counterboring	Surfacing
✓	✓	✓	✓	✗

DIMENSIONS :



TECHNICAL FEATURES

Machine	TTLW
Machining Capacity	60.3 mm (2.374") ID 610 mm (24") OD
Specific shapes & angles	I, V, J, X or any other specific weld preps special shape on request
Clamping	manual, without key
Feed	Automatic with clutch
Drive Power	Pneumatic or hydraulic Electric drives on request

Pneumatic driven machines have to be used with a lubricating filter. Recommended option: regulation valve.

ORBITAL TUBE CUTTING & BEVELING SPLIT-FRAME CLAMSHELLS

TTLW168



TTLW168 Orbital Tube Cutting & Beveling equipment with pneumatic drive

Ø 60.3 - 168.3 mm (2" - 6")



ORDER NO.	DESCRIPTION
TTLW168	TTLW168 Cutting and beveling machine with pneumatic drive

▼ DIMENSIONS :

ØA	ØB	C	ØD	E	F	G	H	J
175 mm	325 mm	217 mm	460 mm	108.6 mm	202.6 mm	66 mm	216 mm	407 mm
6.889"	12.795"	8.543"	18.110"	4.252"	7.953"	2.958"	8.504"	16.024"

TTLW219



TTLW219 Tube Cutting & Beveling equipment with pneumatic drive

Ø 114.3 - 219.3 mm (4" - 8")



ORDER NO.	DESCRIPTION
TTLW219	TTLW219 Cutting and beveling machine with pneumatic drive

▼ DIMENSIONS :

ØA	ØB	C	ØD	E	F	G	H	J
223 mm	373 mm	241 mm	508 mm	108.6 mm	202.6 mm	66 mm	240 mm	431 mm
8.779"	14.685"	9.488"	20"	4.252"	7.953"	2.958"	9.449"	16.968"

TTLW273



TTLW273 Tube Cutting & Beveling equipment with pneumatic drive

Ø 168.3 - 273.1 mm (6" - 10")



ORDER NO.	DESCRIPTION
TTLW273	TTLW273 Cutting and beveling machine with pneumatic drive

▼ DIMENSIONS :

ØA	ØB	C	ØD	E	F	G	H	J
283 mm	433 mm	271 mm	570 mm	108.6 mm	202.6 mm	66 mm	270 mm	462 mm
11.142"	17.047"	10.669"	22.441"	4.252"	7.953"	2.958"	10.629"	18.189"

TTLW323



TTLW323 Tube Cutting & Beveling equipment with pneumatic drive

Ø 219.1 - 323.9 mm (8" - 12")



ORDER NO.	DESCRIPTION
TTLW323	TTLW323 Cutting and beveling machine with pneumatic drive

▼ DIMENSIONS :

ØA	ØB	C	ØD	E	F	G	H	J
331 mm	481 mm	295 mm	619 mm	108.6 mm	202.6 mm	66 mm	294 mm	486 mm
13.031"	18.937"	11.614"	24.370"	4.252"	7.953"	2.958"	11.574"	19.134"

TT-LW SERIES

TTLW406

Ø 273.1 - 406.4 mm (10" - 16")

≈ 26.5 kg
≈ 58 lbs



TTLW406 Tube Cutting & Beveling equipment with pneumatic drive

ORDER NO.	DESCRIPTION
TTLW406	TTLW610 Cutting and beveling machine with pneumatic drive

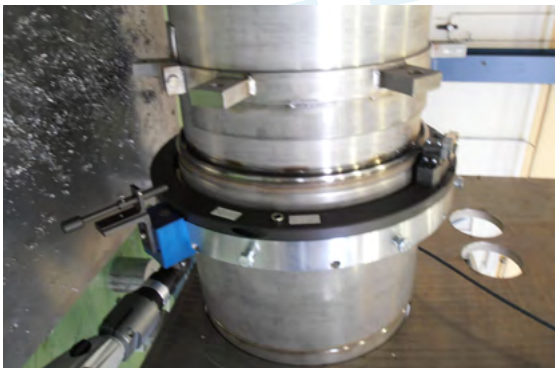
▼ DIMENSIONS :

ØA	ØB	C	ØD	E	F	G	H	J
175 mm	325 mm	217 mm	460 mm	108.6 mm	202.6 mm	66 mm	216 mm	407 mm
6.889"	12.795"	8.543"	18.110"	4.252"	7.953"	2.958"	8.504"	16.024"

TTLW508

Ø 323.9 - 508 mm (12" - 20")

≈ 36 kg
≈ 79.4 lbs



TTLW508 Tube Cutting & Beveling equipment with pneumatic drive

ORDER NO.	DESCRIPTION
TTLW508	TT610 Cutting and beveling machine with pneumatic drive

▼ DIMENSIONS :

ØA	ØB	C	ØD	E	F	G	H	J
223 mm	373 mm	241 mm	508 mm	108.6 mm	202.6 mm	66 mm	240 mm	431 mm
8.779"	14.685"	9.488"	20"	4.252"	7.953"	2.958"	9.449"	16.968"

TTLW610

Ø 355.6 - 610 mm (14" - 24")

≈ 45.5 kg
≈ 100 lbs



TTLW610 Tube Cutting & Beveling equipment with pneumatic drive

ORDER NO.	DESCRIPTION
TTLW610	TT610 Cutting and beveling machine with pneumatic drive

▼ DIMENSIONS :

ØA	ØB	C	ØD	E	F	G	H	J
283 mm	433 mm	271 mm	570 mm	108.6 mm	202.6 mm	66 mm	270 mm	462 mm
11.142"	17.047"	10.669"	22.441"	4.252"	7.953"	2.958"	10.629"	18.189"